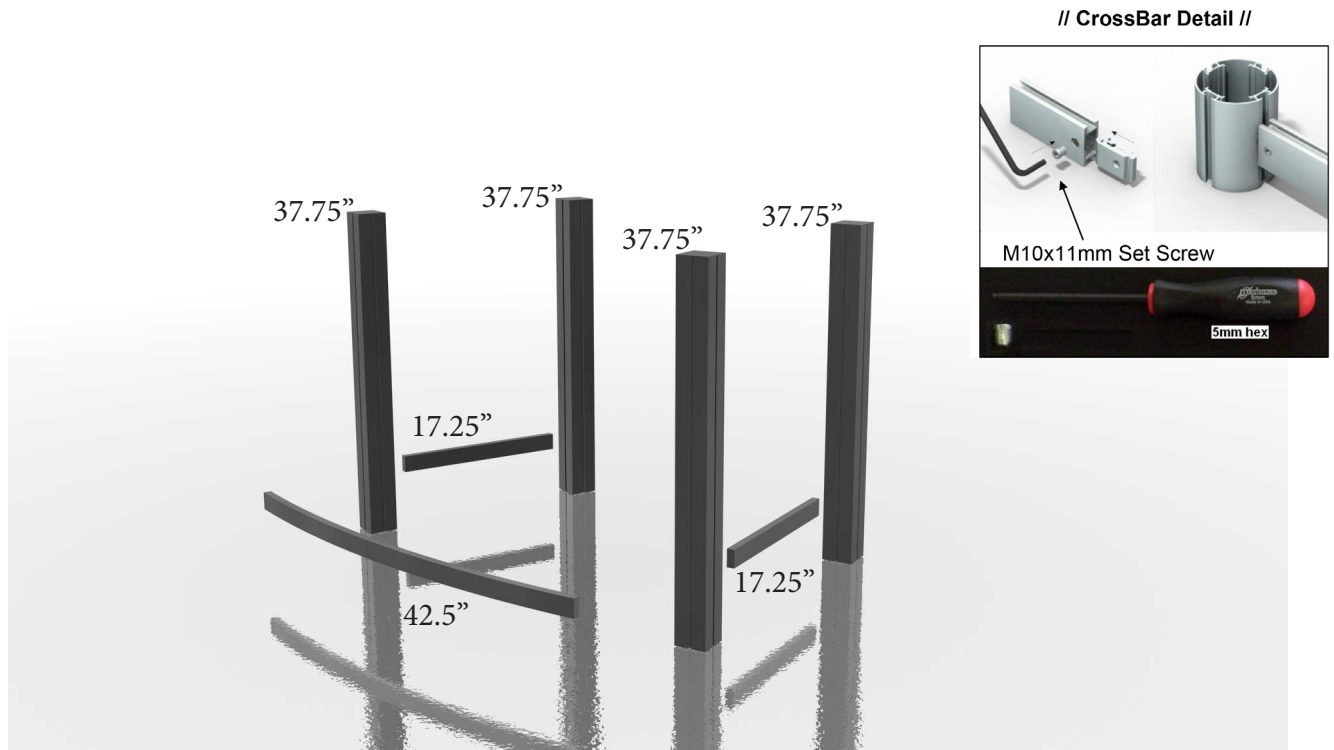
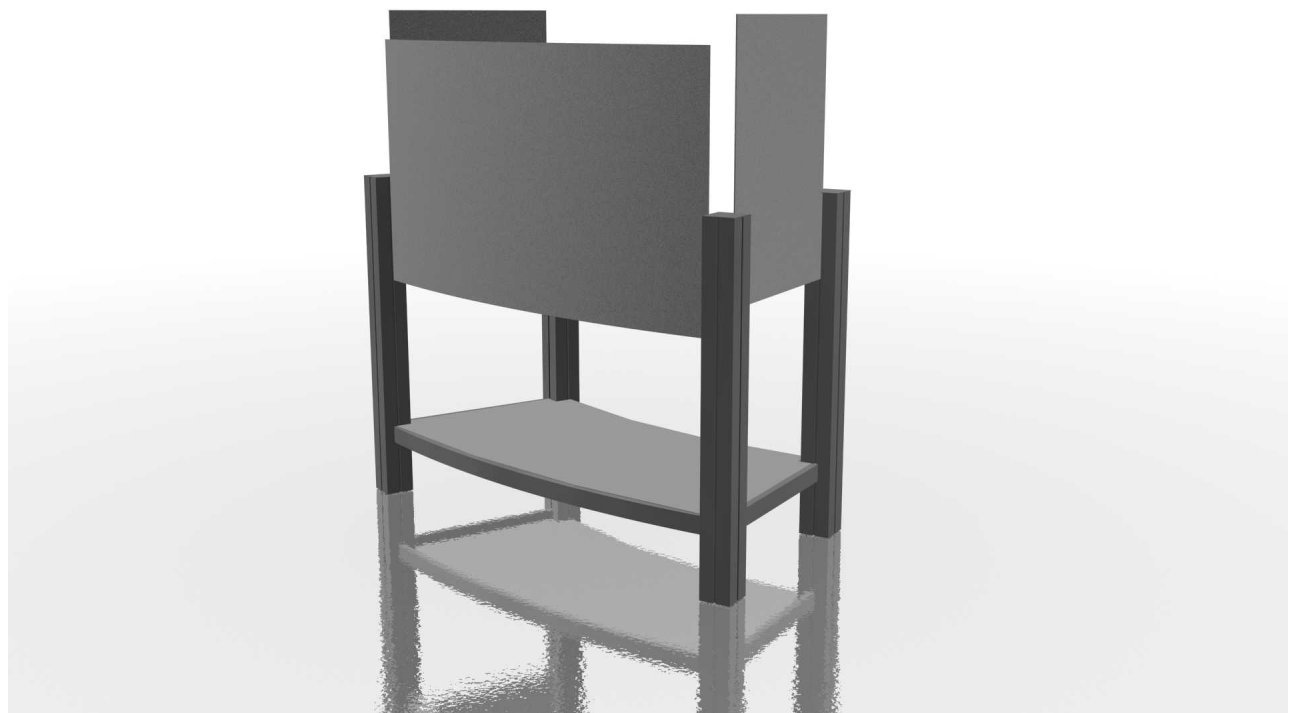


# XVline

**Step 1.** Place vertical columns, and attach bottom cross bars.

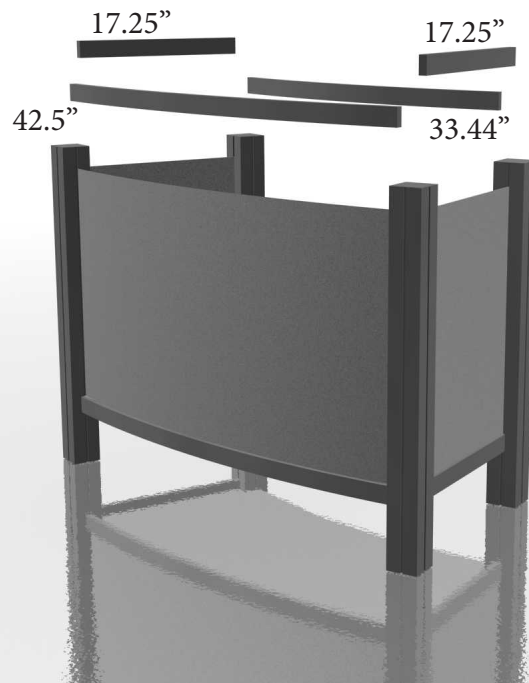


**Step 2.** Slide in panels.

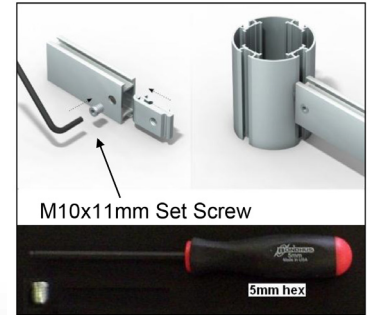


# XVline

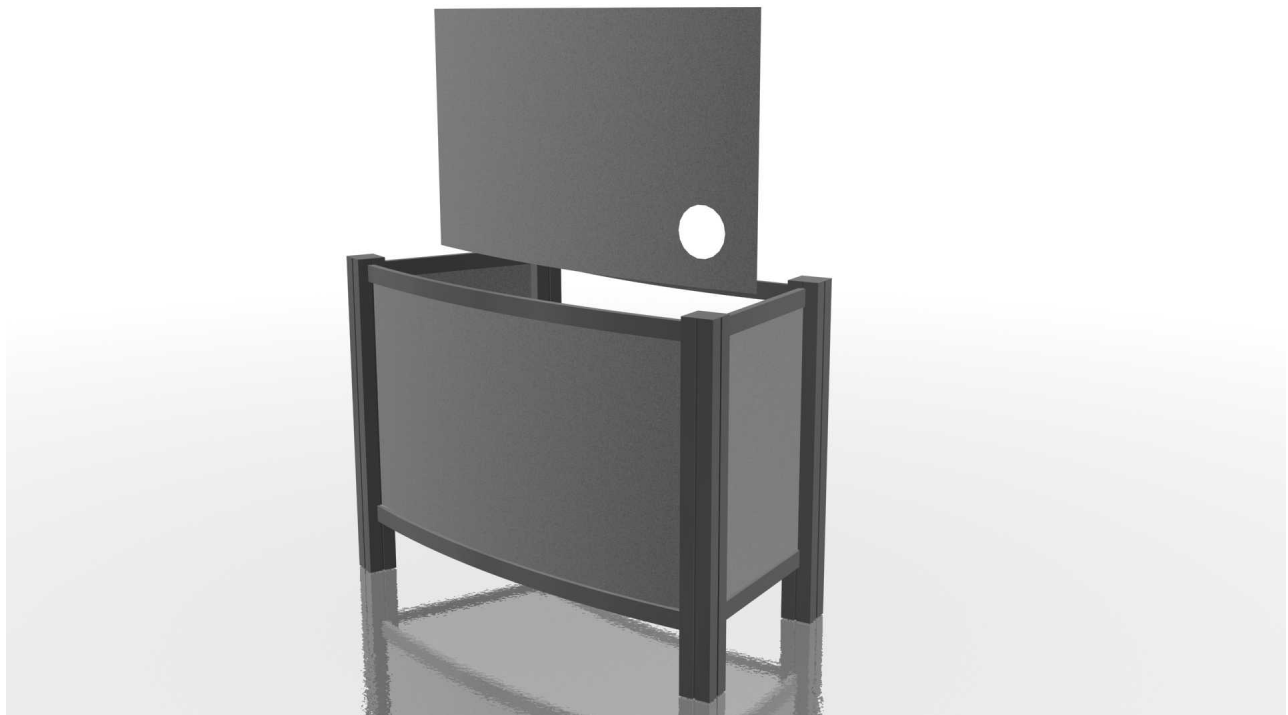
**Step 3.** Attach upper cross bars to verticals.



// CrossBar Detail //



**Step 4.** Attach light blocker to sides using velcro.



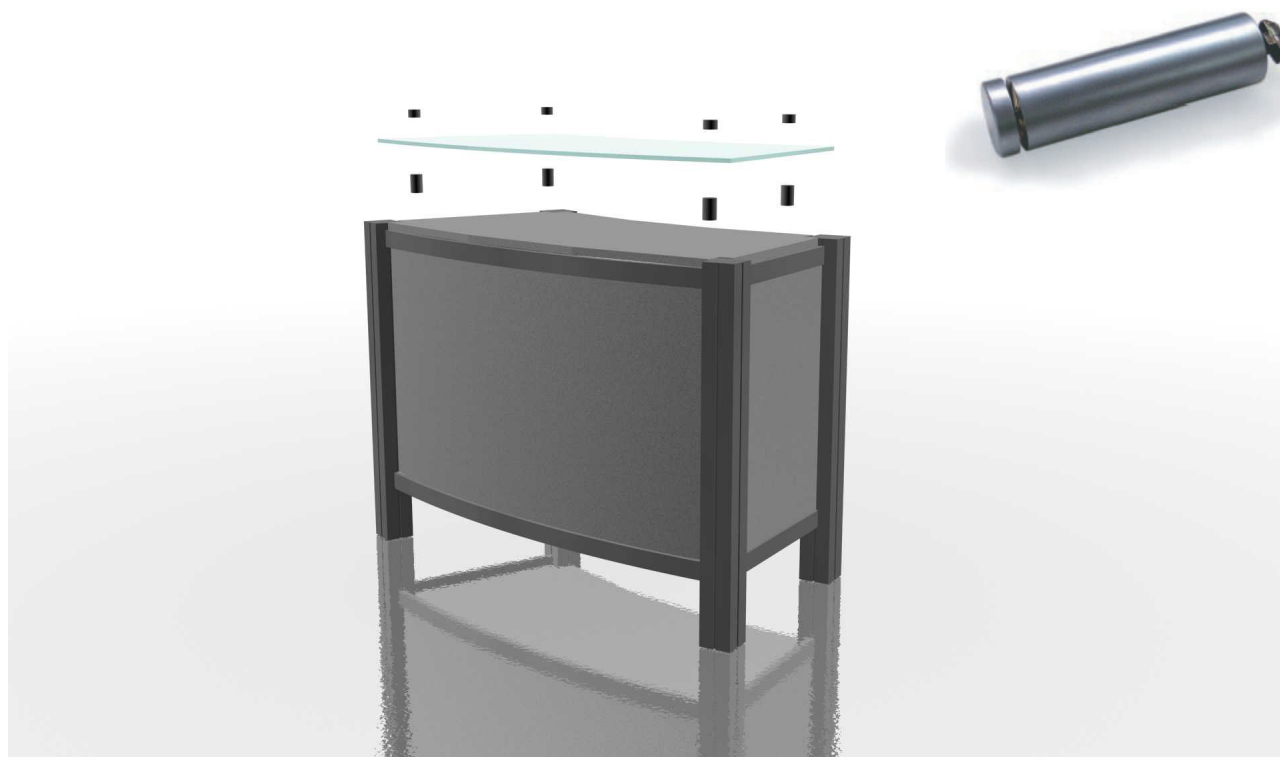
# XVline

---

**Step 5.** Attach top counter.



**Step 6.** Attach top using stand offs.



# XVline

---

Step 7. Complete

