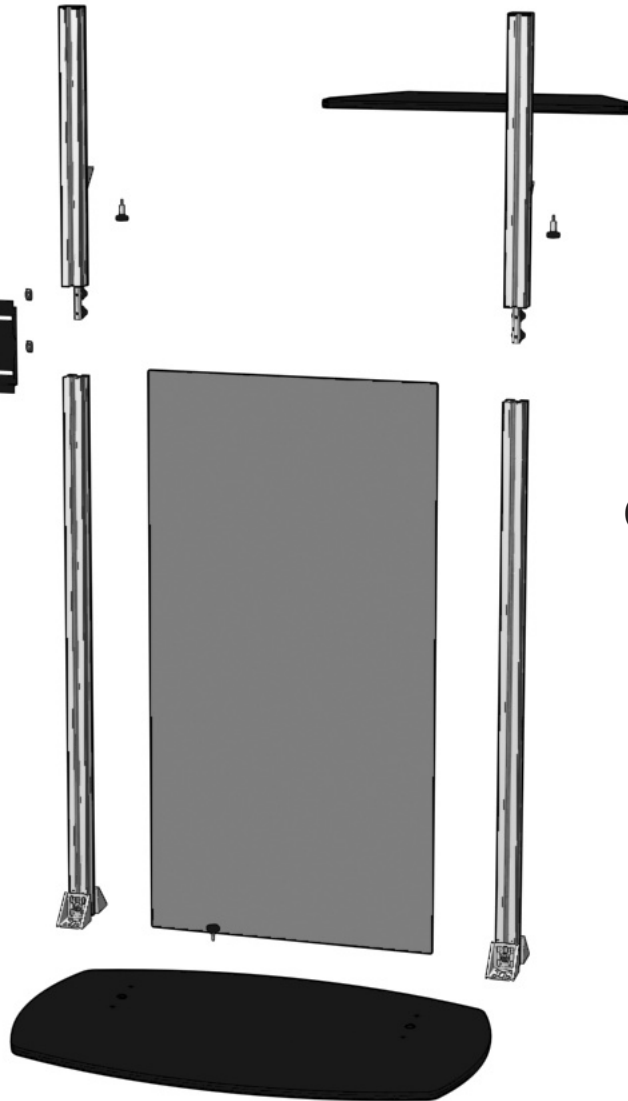
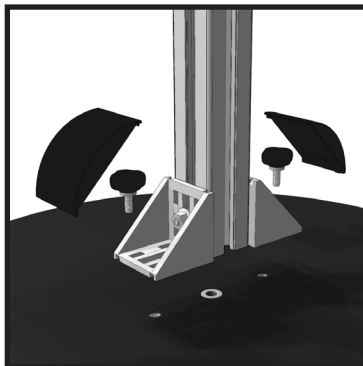
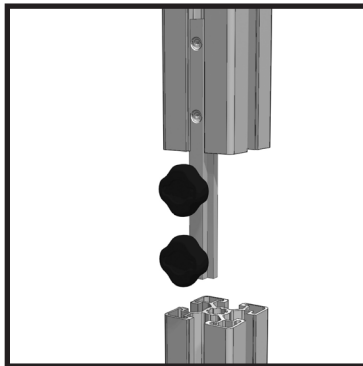
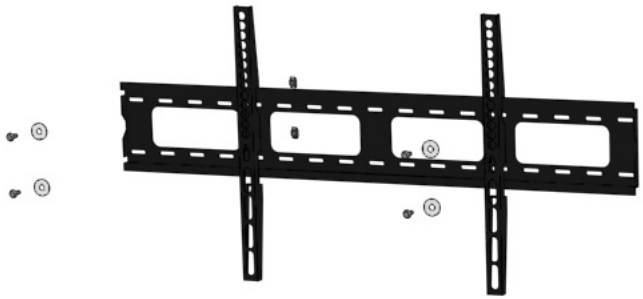


Step 1. Assemble x2 2-piece columns(22"+45") tighten x2 small knobs to secure. Attach columns to base using x2 small knobs each; pop on caps; secure shelf using x2 long knob.



Complete

