

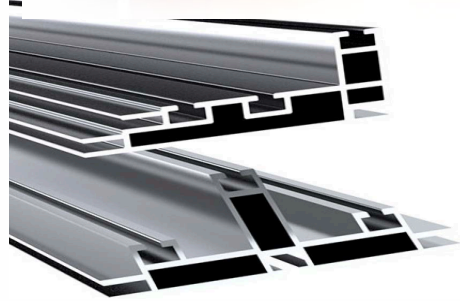
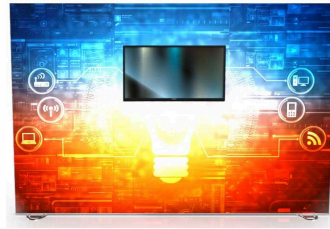
# indy displays

Igniter SEG Portable Backlit Display 10ft x 8ft - Single-Sided

\$ 3780

## Price Includes:

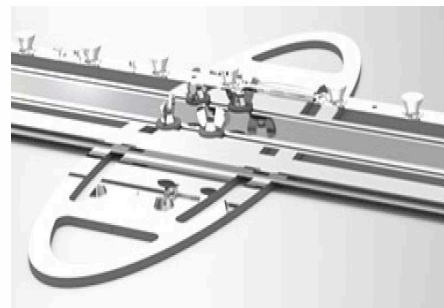
- \* Igniter Aluminum Extrusion - 4.75"d x 118"w x 96"h
- Display - Matte Gray Color
- \* All Connecting Hardware & Vertical/Horizontal Supports
- \* (12) LED Light Sets Connected to Frame
- \* Power Supply and Wiring
- \* (2) Heavy Duty Stabilizing Feet
- \* (1) Custom Dye-Sublimation Backlit Fabric Graphic
- \* (1) Opaque Fabric Backer
- \* (1) Large Shipping Cases w/ Wheels & Straps - 68.5"l x 12"h x 18"w
- \* (1) Spare Parts Kit - (2) Corners, (1) Light Strip, (2) Connector Bars



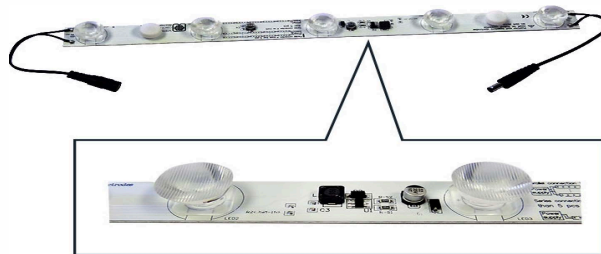
Igniter Extrusion Profile

- \* Monitor Hardware - VESA Compatible Large Monitor Mount Support - Up to LDC 50" Screen - Not to Exceed 50 lbs (+) \$ 475
- \* Replacement 10' x 8' SEG Graphic Cost: \$ 1085

Shipping Case & Display Weight: 160 lbs



Igniter Bottom Feet



LED Light Strip



Power Supply & Wiring



Hard Shipping Case

Attachment Hardware Shown Above

ALL prices subject to change 1-2023

833.257.6278 | indydisplays.com