

Formulate TT4 Master Tabletop Straight 64.72"w x 46.81"h x 17.71"d

\$ 930*



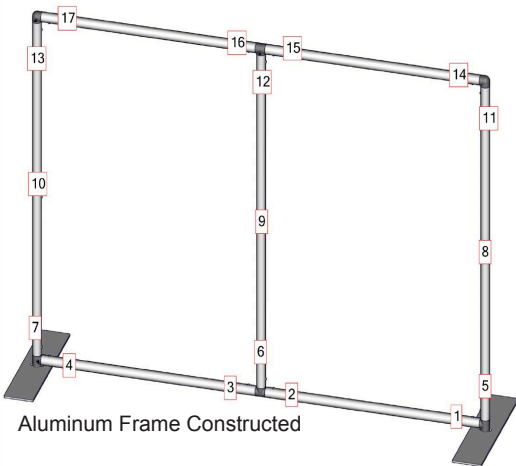
Package Includes:

- * Lightweight Aluminum Frame - 64.72"w x 46.81"h x 17.71"d
- * Snap Button Connectors Makes Assembly Easy
- * (2) Aluminum Stabilizing Feet
- * Pillowcase Fabric Contours to the Frame
- * Double-sided** or Single-sided Dye-Sublimation Printed Graphic*
- * (1) OCS Molded Shipping Case with Built in Wheels - 18"w x 43.5"h x 16.5"d
Weight: 35lbs / Shipping Size: 45"l x 19"h x 19"d

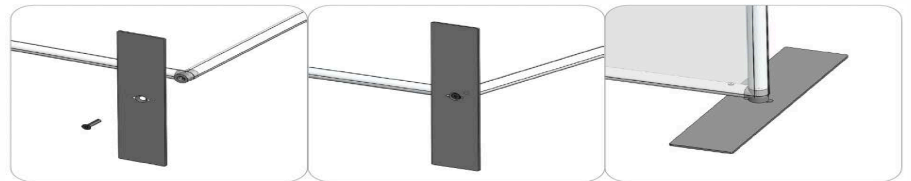
Replacement Graphic Cost:

\$ 280*

** Double-sided Graphic Upcharge: Ask for Quote



Aluminum Frame Constructed



Stabilizing Feet



Frame Connection



OCS Shipping Case Included



Throw or Fitted	Qty. 1	2-9	10-24	25-99	100-299	300+
4' Open Back	\$130	\$125	\$120	\$115	\$110	\$105
4' Closed Back	\$175	\$170	\$165	\$160	\$155	\$150
6' Open Back	\$160	\$155	\$150	\$145	\$140	\$135
6' Closed Back	\$195	\$190	\$185	\$180	\$175	\$170
8' Open Back	\$185	\$180	\$175	\$170	\$165	\$160
8' Closed Back	\$230	\$225	\$220	\$215	\$210	\$205



Stretch Cover	Price Each
6' Open Back	\$270
6' Closed Back	\$295
8' Open Back	\$315
8' Closed Back	\$350

Quantity Pricing Available

*ALL prices subject to change 2024