

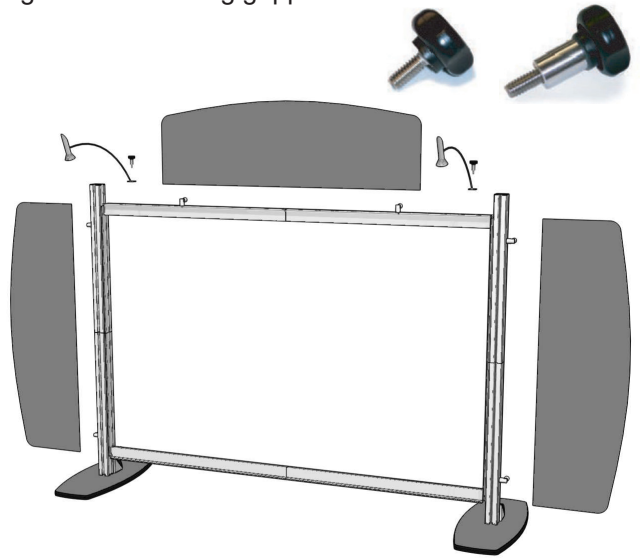
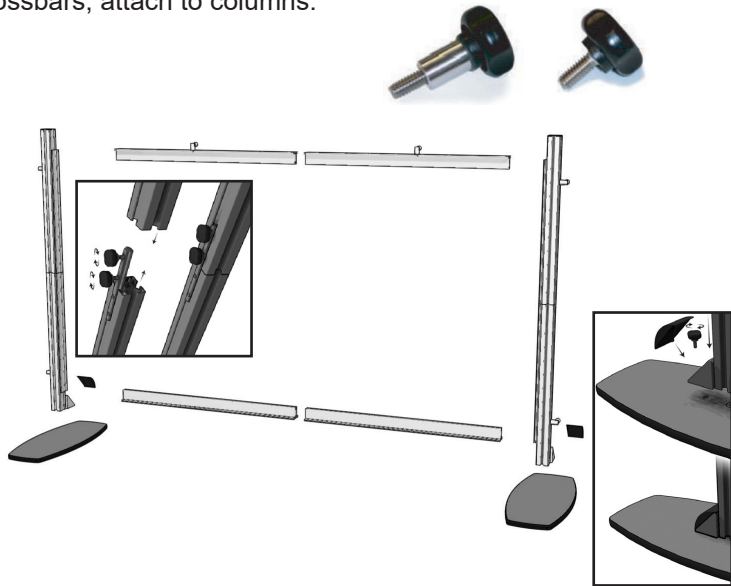
PARTS LIST

- A.) x2 - Bases
- B.) x1 - Header
- C.) x2 - Wings
- D.) x2 - Stem Lights
- E.) x1 - L= 22.5" Top Left Column
- F.) x1 - L=22.5" Top Right Column
- G.) x1 - L=22.5" Bottom Left Column

- H.) x1 - L=22.5" Bottom Right Column
- I.) x1 - SEG graphic
- J.) x1 - L=29.25" Top Left Crossbar
- K.) x1 - L=29.25" Top Right Crossbar
- L.) x1 - L=29.25" Bottom Left Crossbar
- M.) x1 - L=29.25" Bottom Right Crossbar

**Step 1.** Attach bases to bottom columns; attach top columns to bottom columns. Assemble 2-piece crossbars; attach to columns.

**Step 2.** Attach stem lights to top crossbar; secure wings & header using grippers.



**Step 3.** Attach SEG graphic.

**Complete**

